



2668 SERIES

PRESSURE/VACUUM (HIGH PRESSURE)

BASE MODELS

AC Voltage

2668E44XNTLSXX

(115/60/1)

2668N44XNTLSXX

(220-240/50/60/1)

2668S44XNTLSXX

(100/50/60/1)

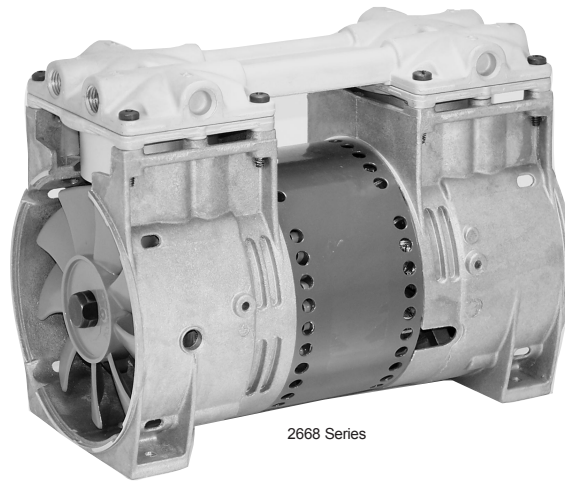
CUSTOM CONFIGURED OPTIONS

AC Voltage

- Stroke (Flow and/or pressure)
- Pump restart
- Head port thread
- Foot tap thread
- Electrical cord
- Piston seal
- Fan guard
- Protective coating

AFTERMARKET SERVICE KITS

SK2668



2668 Series

FEATURES (BENEFITS)

- Oil-less operation (Clean air stream, less maintenance)
- Permanently lubricated bearings (Optimum life)
- Stainless steel valves (Optimum life, consistent performance, corrosion resistance)
- Die-cast aluminum components (Strong, lightweight, durable)
- Dynamically balanced (Low operating vibration)
- Proven WOB-L® technology (Optimum life)
- Monolithic head (Fewer parts, eliminates potential leak paths)
- Field service capability (Maximum return on investment)
- Thermally protected motor (Fail-safe operation)
- Designed and tested per Agency standards (Fail-safe operation)
- Inlet filter/exhaust muffler (Quiet, clean operation)
- RoHS compliant (Green, eco-friendly)

Declaration documentation for applicable models available upon request

**Qualified OEM designers should
consult factory for purchase or custom configurations**

Thomas Division is an ISO 9001 registered company

THOMAS
A Gardner Denver Product

USAThomas.com

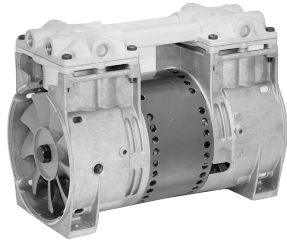
(800) 799-4568 | 3810 Prospect Ave, Ste. A, Yorba Linda, CA 92886



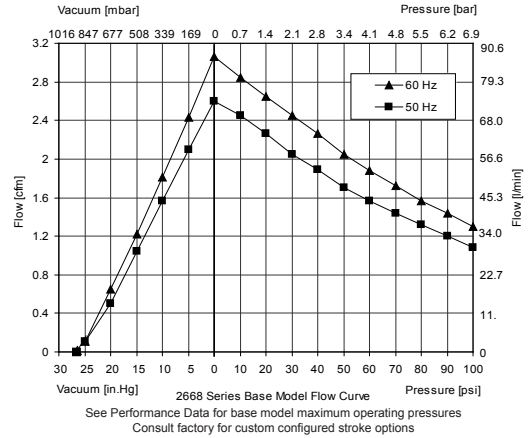
WOB-L[®] 2668 Series Base Models



Max flow 3.1 cfm (87.8 l/min)
Max. pressure 100 psi (6.9 bar)
Max. vacuum 93% local barometer



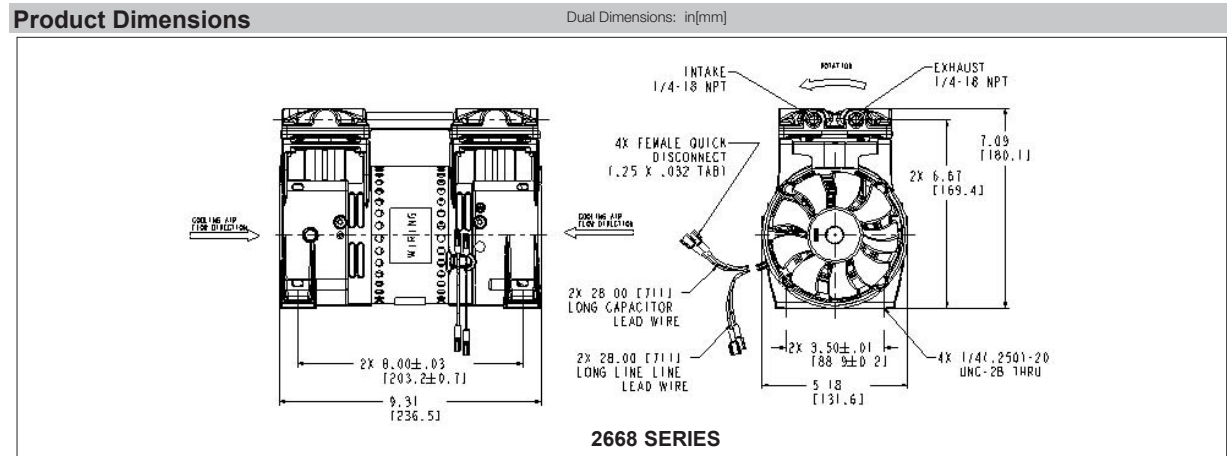
Note: Supplied capacitor mounted remotely.



Model Number	2668E44XNTLSXX	2668N44XNTLSXX	2668S44XNTLSXX
Performance Data			
Head configuration	Pressure/vacuum parallel flow	Pressure/vacuum parallel flow	Pressure/vacuum parallel flow
Stroke	0.44 in (11.2 mm)	0.44 in (11.2 mm)	0.44 in (11.2 mm)
Nominal voltage/frequency	115V 60Hz	220-240V 50/60Hz	100V 50/60Hz
Maximum open air flow	3.1 cfm (87.8 l/min)	2.6/3.1 cfm (73.6/87.8 l/min)	2.6/3.1 cfm (73.6/87.8 l/min)
Maximum operating pressure	100 psi (6.9 bar)	100/100 psi (6.9/6.9 bar)	100/40 psi (6.9/2.8 bar)
Current at rated pressure	4.5A	1.8/2.1A	4.6/4.3A
Power at rated pressure	489W	408/449W	430/432W
Speed at rated pressure	1699 rpm	1406/1676 rpm	1400/1689 rpm
Maximum pressure restart	Consult factory	Consult factory	Consult factory
Maximum vacuum	93% local barometer	93% local barometer	93% local barometer
Maximum vacuum restart	Consult factory	Consult factory	Consult factory

Electrical Data			
Motor type [Capacitance]	P.S.C. [15 µF]	P.S.C. [15 µF]	P.S.C. [20 µF]
Motor in-rush current	16.2A	5.9/5.6A	10.9/10.5A
Motor insulation class	B	B	B
Thermal switch [Open temperature]	Yes [293°F (145°C)]	Yes [275°F (135°C)]	Yes [293°F (145°C)]
Line lead wire color, gauge	Brown(hot), blue(neutral), 18 AWG	Brown(hot), blue(neutral), 18 AWG	Brown(hot), blue(neutral), 18AWG
Capacitor lead wire color, gauge	Black, black, 18 AWG	Red, red, 18 AWG	Black, black, 18 AWG

General Data			
Operating ambient air temperature	50° to 104°F (10° to 40°C)	50° to 104°F (10° to 40°C)	50° to 104°F (10° to 40°C)
Safety certification	UL, CSA	TUV	None
Net weight	16.3 lbs (7.4 kg)	16.3 lbs (7.4 kg)	16.3 lbs (7.4 kg)



2668 SERIES

©2011 Gardner Denver Thomas, Inc.
 All rights reserved.
 Form No. 850-4007 01/15

The information presented in this material is based on technical data and test results of nominal units. It is believed to be accurate and reliable and is offered as an aid to help in the selection of Thomas Division products. It is the responsibility of the user to determine the suitability of the product for its intended use and the user assumes all risk and liability whatsoever in connection therewith. Thomas Division does not warrant, guarantee or assume any obligation or liability in connection with this information. **NOTE:** Models pictured are representative of the series and do not represent a specific model number. Consult factory for detailed physical description.